

BWC91TB

90cm Wall Canopy Rangehood

BLANCO



Model Code

BWC91TB

Description

90cm stainless steel touch control rangehood with black glass fascia panel

Accessories

Optional Extra:

- Carbon filter ACK62836 – pack of 2
- Extension flue – KIT0113

Warranty

BLANCOCare™ 2 years parts & labour.

Features

Benefits

Touch Control Operation

- Easy to use red LED touch control operations.
- Design and operation synergy with touch control operation of built-in ovens and free-standing cookers (selected models only).

860m³/hr Air Movement

Helps to protect kitchen surfaces (such as walls and cabinets) from grime build up.

4 Speeds with Booster

Various fan speeds to suit the type of cooking.

2 x 1.5W LED Lights

Clearer visibility when cooking.

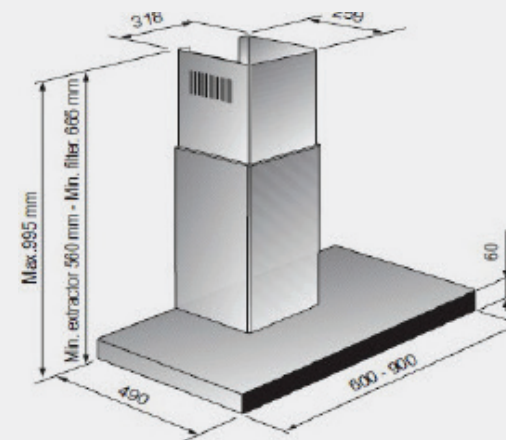
3 Aluminium Anti Grease Filters

Easy to clean can be simply hand washed or put into the dishwasher.

Can be Ducted or Recirculated

2 installation options ducted or recirculated.

Specifications



Method of installation:	Can be ducted or recirculated
Dimensions:	900W x 490D x 60Hmm
Power Requirement:	240 V – 10 Amps
Airflow:	860m ³ /hr
Ducting:	Top only or recirculating (carbon filters recommended for recirculated installation)
Duct Spigot:	120/150 mm
Noise Level at high:	62 dB
Minimum Height above Cooktop to lowest point of rangehood:	650 mm

NOTE: Measurements are within 2 - 3 mm factory tolerance. It is advisable to check dimensions of physical product when measuring for installation and before doing any cut outs.

*Due to continual product development the information provided is not final and may be subject to change.