

BLANCO

Instructions for the Use and Care and Installation of

RUL70X

RUL90X

Rangehood

Dear Customer,

Thank you for buying a **BLANCO rangehood**.

Before we continue telling you about this rangehood, we cordially invite you to become part of the Blanco family by subscribing online.

Please visit our website where you can easily subscribe and request such things as 'invitations to future cooking classes' and gourmet recipes.

Go to **www.blanco-australia.com** and fill in the subscription details.

You will find that the clean lines and modern look of your **Blanco** rangehood blends in perfectly with your kitchen décor. It is easy to use and performs to a high standard.

Blanco also makes a range of products that will enhance your kitchen such as cooktops, ovens, dishwashers and microwaves, sinks and taps. There are models to complement your new **Blanco** rangehood.

Of course, we make every effort to ensure that our products meet all your requirements, and our Customer Relations department is at your disposal, to answer all your questions and to listen to all your suggestions.

Please complete the warranty card and keep your receipt as proof of purchase. Retain all documents relating to the purchase of this product.

Blanco is committed to providing increasingly efficient products that are easy to use, and are not just beautiful, smart.

BLANCO

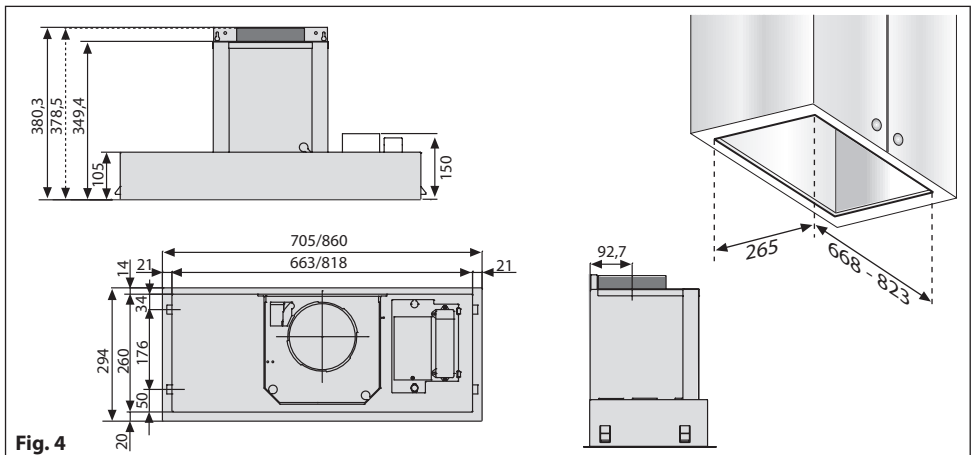
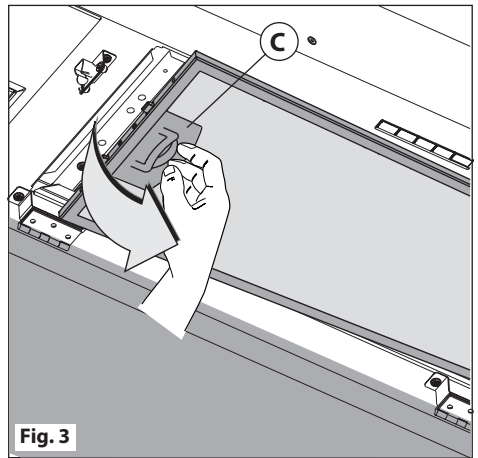
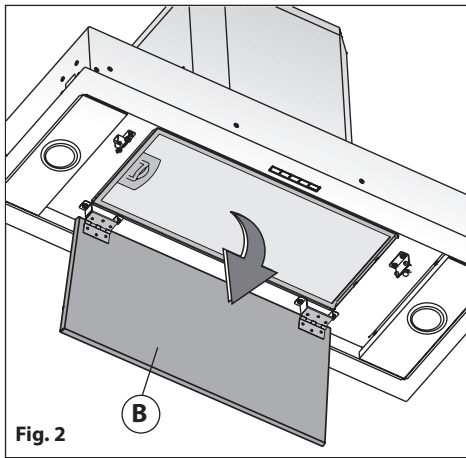
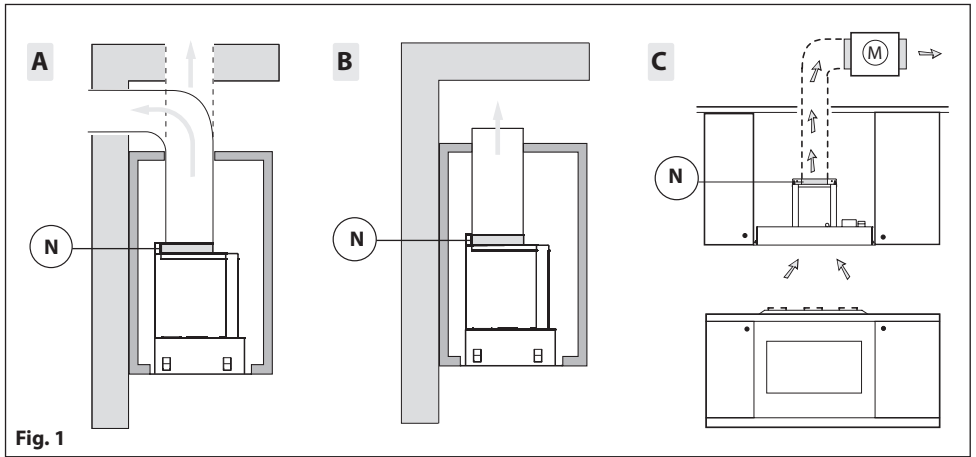


Fig. 5

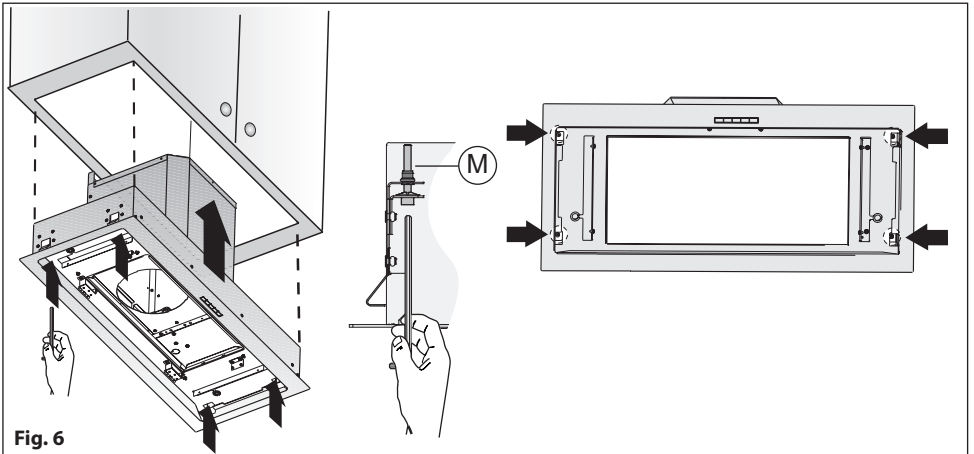
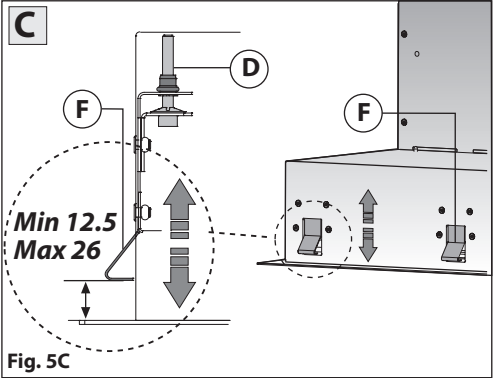
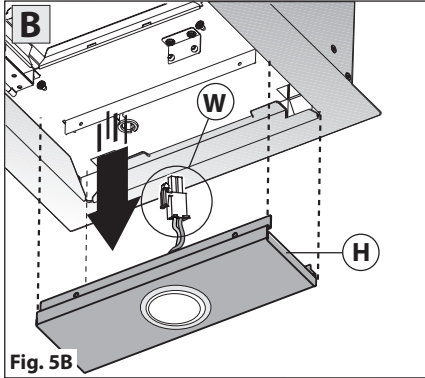
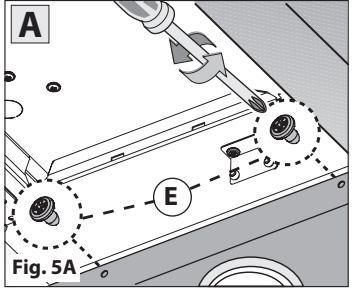
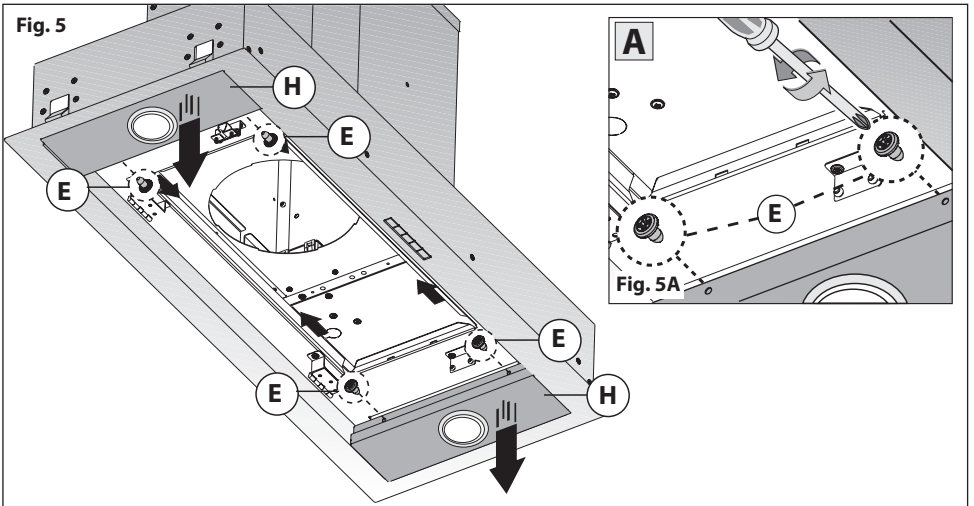


Fig. 6

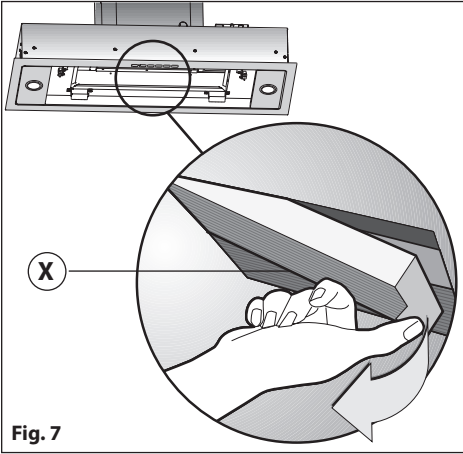


Fig. 7

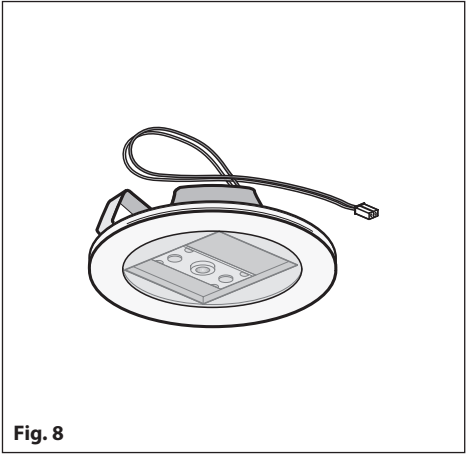


Fig. 8

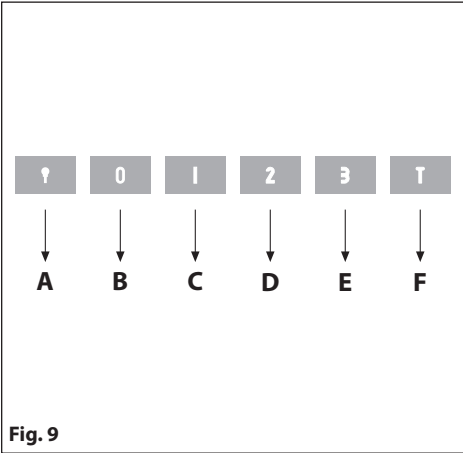


Fig. 9

GENERAL

These warnings are provided in the interest of safety. Carefully read the following important information regarding installation safety and maintenance. You **MUST** read them carefully before installing or using the appliance. It is most important that this instruction book be retained with the appliance for future reference. Should the appliance be sold or transferred, always ensure that the book is left with the appliance in order that the new owner can get to know the function of the appliance and the relevant warnings.

The appliance has been designed for use in the ducting version (air exhaust to the outside – **Fig.1B**), filtering version (air circulation on the inside – **Fig.1A**) or with external motor (**Fig.1C**).

SAFETY PRECAUTION

1. Take care when the rangehood is operating in the same room as an open fireplace or burner that requires air in the environment and uses an energy source other than electrical energy – this is because the rangehood removes air from the environment which a burner or fireplace may need for combustion. The negative pressure in the environment must not exceed 4Pa (4x10⁻⁵ bar).
2. Provide adequate ventilation in the environment for a safe operation of the rangehood.
3. Follow the local laws applicable for external air evacuation.
4. If the supply cord is damaged, it must be replaced by the manufacturer or its service agent or a similarly qualified person in order to avoid a hazard.

WARNING!

In certain circumstances electrical appliances may be a danger hazard.

- A) The appliance is not intended for use by persons (including children) with reduced physical, sensory or mental capabilities, or lack of experience and knowledge, unless they have been given supervised or instruction concerning use of the appliance by a responsible person for their safety.
- B) Young children should be supervised to ensure they do not play with the appliance.
- C) Do not check or remove the filters when the rangehood is operating.
- D) Flambè cooking is prohibited underneath the rangehood.
- E) Constantly check food that is frying as any overheated oil may become a fire hazard.
- F) Disconnect the electrical plug prior to any maintenance.
- G) Do not touch lighting or adjacent areas when lighting is on - and for a period of time after using the light.
- H) Avoid leaving the cooktop on (gas and electric) without the saucepan covering the burner or cooking zone. This is because heat transferring upwards to the rangehood will be damaging to the filters and a fire hazard.
- I) Ensure adequate ventilation of the room where the rangehood is used at the same time as appliances burning gas or other fuels. Exercise care when a rangehood is installed in an area where a gas burner is operating. Depending on the size of the room, the rangehood may draw from the room air that is necessary for proper combustion of the burner.
- J) Ensure the rangehood is cleaned frequently, as directed on page 9.
- L) There is a risk of fire if cleaning is not carried out in accordance with the instructions.
- M) For any repairs always contact an authorised Technical Customer Service Centre and ask for original spare parts. Repairs by untrained people may lead to damage and void warranty.
- N) **Caution:** Accessible parts may become hot when used with a cooking appliance.

Warnings for Installation:

- a) The exhaust air must not be discharged into a flue which is used for exhausting fumes from appliances burning gas or other fuels.
- b) The minimum distance between the supporting surface for the cooktop vessels on the hob and the lowest part of the rangehood:
 - * When the rangehood is located above a gas appliance, this distance shall be 65cm.
 - * If the instructions for installation for the gas hob specify a greater distance, this must be taken into account. (The distance of 65cm can be reduced for non combustible parts of rangehoods and parts operating at safety extra low voltage provided these parts do not give access to live parts if deformed).
 - * Distance may be reduced to 60cm to align with the AGA code.
- c) The regulations concerning the discharge of exhaust air have to be fulfilled.
- d) All Blanco rangehoods are used for indoor application/installation only.

Other Information:

This appliance conforms to the European Directive EC/2002/96, Waste Electrical and Electronic Equipment (WEEE). By making sure that this appliance is disposed of in a suitable manner, the user is helping to prevent potential damage to the environment or to public health.



The symbol on the product or on the packaging label on the carton indicates that the appliance should not be treated as domestic waste, but should be delivered to a suitable electric and electronic appliance recycling collection point. Follow local guidelines when disposing of waste. For more information on the treatment, re-use and recycling of this product, please contact your local authority or domestic waste collection service.

INSTALLATION INSTRUCTIONS

Any electrical work must be undertaken by a qualified electrician. It is dangerous to alter specifications in any way. Ensure that all packaging, both inside and outside the rangehood, has been removed before it is used. After installation, please dispose of the packaging with due regard to safety and the environment.

Note: Ensure you have read the warnings for installation on page 6.

• Electric Connection

The appliance has been manufactured as a class II, therefore no earth cable is necessary.

The plug must be easily accessible after the installation of the appliance.

If the appliance is equipped with power cord without plug, a suitably dimensioned omnipolar switch with 3 mm minimum opening between contacts must be fitted between the appliance and the electricity supply in compliance with the load and current regulations.

The connection to the mains is carried out as follows:

BROWN = **L** line

BLUE = **N** neutral

• If a connection tube composed of two parts is used, the upper part must be placed outside the lower part. Do not connect the rangehood exhaust to the same conductor used to circulate hot air or for evacuating fumes from other appliances generated by other than an electrical source. Before proceeding with the assembly operations, remove the anti-grease filter(s) (**Fig.2-3**) so that the unit is easier to handle.

-In the case of assembly of the appliance in the ducted version prepare the hole for evacuation of the air.

• We recommend the use of an air exhaust tube which has the same diameter as the air exhaust outlet hole. If a pipe with a smaller diameter is used, the efficiency of the product may be reduced and its operation may become noisier.

Warning: Failure to install the screws or fixing device in accordance with these instructions may result in electrical hazards (see technical data if supplied).

• Installation

The following instruction should be followed to carry out the correct installation of the rangehood.

1. Mounting of the rangehood on the lower side of the cupboard.
2. Selection of the version (extraction or filtration).
3. Before starting to fix the rangehood, disconnect the anti-grease filter for easier appliance handling:

-Open panel **B** as shown in **Fig.2**.

-Pull handle **C** as shown in **Fig.3**.

• Fitting the rangehood into the lower part of the wall cabinet

For all measurements relating to the rangehood, please refer to **Fig.4**.

Before fixing the rangehood to the lower part of the cabinet, the following steps should be performed:

1. Remove the 4 screws **E** fixing the two rangehood lamps **H** (RHS and LHS) in place as indicated in **Fig.5A**.
2. Remove the lamps **H** and disconnect the connectors **W** of the lamps to make installation easier, as indicated in **Fig.5B**.
3. Make sure the thickness of the cabinet falls within the range of values listed in **Fig.5C**. Fit the rangehood in the cabinet (**Fig.6**) and make sure the 4 springs are fixed in place well. Fix the rangehood to the cabinet securely by using a screwdriver to tighten the screws **M** until the appliance is flush with the cabinet (**Fig.6**).
4. Connect the connectors **W** of the lamps again and reinstall the lamps **H** fixing them with the 4 screws **E** that were previously removed.

• Ducted Installation

When installed in this way the appliance expels fumes outside, either through a perimeter wall or through existing ducting. It is therefore necessary to purchase a non-flammable air exhaust tube (not supplied) which complies with all current legislation and connect it to flange **N** (**Fig.1B**).

• Recirculating Installation

Please note:

When the rangehood is recirculated, carbon filters must be ordered as an accessory.

-To replace the carbon filters **X**, pull lever outwards as shown in **Fig.7**.

Additional Installation Notes.

Rangehoods may be ducted in two ways:

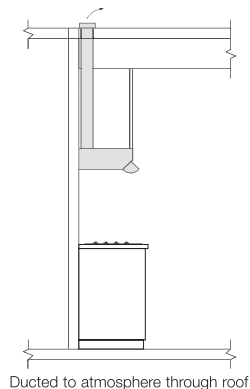
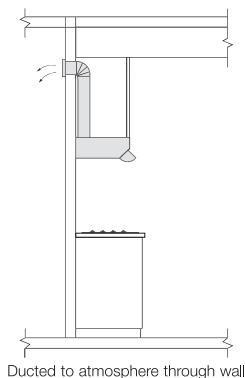
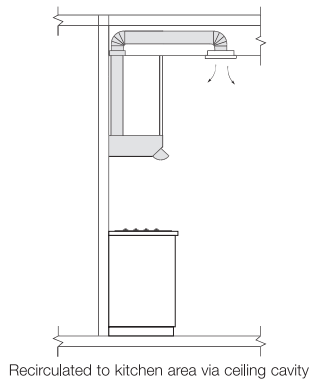
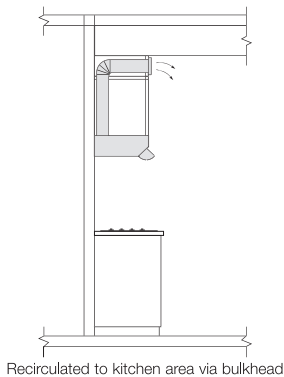
1. Ducted to the atmosphere (outside).
2. Recirculating.

We recommend ducting to the atmosphere to ensure optimum performance. Recirculating the air back into the room should only be used when outside extraction is not possible. To ensure maximum performance when ducting it is important the ducting that carries the fumes away, be as short and as straight as possible.

When incorporating a rangehood in the design of a kitchen the following points need to be considered to achieve the most benefit from the rangehood.

1. Ducting from a rangehood carrying the exhaust air, should not exceed a length of three (3) metres.
2. For ducted installation we recommend using galvanised or similar metal type flue pipe. PVC pipe is not recommended.
3. Ducting containing a 90° degree bend will encounter a loss in efficiency of approximately 35%. Additional 90° degree bends can cause losses of up to 15% per bend.
4. Ducting size should always comply with the manufacturers specification.
5. We recommend carbon filters be used when re-circulating the air into the room. There will be some loss of air movement when carbon filters are fitted.

The following diagrams are examples of installations:



USE AND MAINTENANCE

- It is recommended to operate the appliance prior to cooking. It is recommended to leave the appliance in operation for 15 minutes after cooking is terminated in order to help eliminate cooking vapors and odors. The proper function of the rangehood is conditioned by the regularity of the maintenance operations, in particular, the active carbon filter.
- The anti-grease filters capture the grease particles suspended in the air, and are therefore subject to clogging according to the frequency of the use of the appliance. In order to prevent fire hazard, it is recommended to clean the filter at a maximum of 2 months by carrying out the following instructions:
 - Remove the anti-grease filters from the rangehood and wash them in a solution of water and neutral liquid detergent, leaving to soak.
 - Rinse thoroughly with warm water and leave to dry.
 - The anti-grease filters may also be washed in the dishwasher. The aluminum panels may alter in colour after several washes. This is not cause for customer complaint nor replacement of panels.
- The active carbon filters help to purify the air that is replaced in the environment. The filters are not washable nor reusable and must be replaced at maximum every four months. The saturation of the active carbon filter depends on the frequency of use of the appliance, by the type of cooking and the regularity of cleaning the anti-grease filters.
- Clean the fan and other surfaces of the rangehood regularly using a cloth moistened with denatured alcohol or non abrasive liquid detergent.
- The light function is designed for use during cooking and not for prolonged general illumination of the environment. Prolonged use will notably reduce the duration of the bulb.

• Replacing LED lamps (Fig.8):

Replacement of the LED lamps needs to be carried out by an authorised technician. Please contact an authorised service centre when this needs to be arranged.

• Commands (Fig.9) luminous the key symbols are explained below:

A = LIGHT

B = OFF

C = SPEED I

D = SPEED II

E = SPEED III

F = AUTOMATIC STOP TIMER - 15 minutes

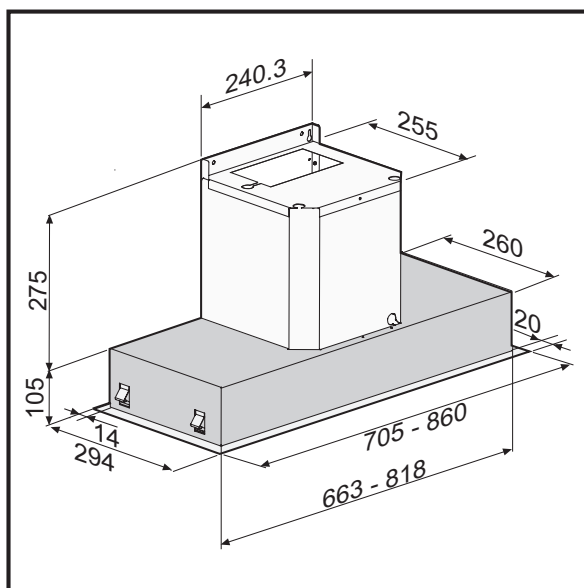
- To operate the **INTENSIVE** speed function, press key **E** for two seconds and it will be activated for 10 minutes after which it will return to the previously set speed. When the function is active the LED flashes. To interrupt it before the 10 minutes have expired press key **E** again.
- By pressing key **F** for two seconds (with the rangehood switched off) the "**clean air**" function is activated. This function switches the appliance on for ten minutes every hour at speed level 1. As soon as this function is activated the motor starts up at speed level 1 for ten minutes, During this time key **F** and key **C** will flash at the same time. After ten minutes the motor switches off and the LED of key **F** remains switched on with a fixed light until the motor starts up again at speed level 1 after fifty minutes. Keys **F** and **C** start to flash again for ten minutes and so on. By pressing any key (excluding the rangehood light key **A**) the "**clean air**" function will be deactivated and the rangehood will return to normal operation (e.g. if key **D** is pressed the "**clean air**" function is deactivated and the motor moves to the 2nd speed straight away. By pressing key **B** the function is deactivated).

(*) The "**AUTOMATIC STOP TIMER**" delays stopping of the rangehood, which will continue functioning for 15 minutes at the operating speed set at the time this function is activated.

• Active carbon/grease filter saturation:

- When button **A** flashes at a frequency of **2 seconds**, the **grease** filters must be cleaned.
- When button **A** flashes at a frequency of **0.5 seconds**, the **carbon** filters must be replaced. After the filter has been replaced, the electronic memory must be reset by pressing button **A** for approximately **5 seconds**, until the light on the button stops flashing.

THE MANUFACTURER DECLINES ALL RESPONSIBILITY FOR EVENTUAL DAMAGES CAUSED BY BREACHING THE WARNINGS SET OUT IN THIS MANUAL.



RUL70X
RUL90X

We appreciate your feedback.
Please review our products on
www.blanco-australia.com



Printed on recycled paper

3LIK1402